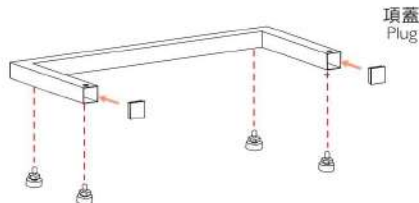


綠墻寶挂架

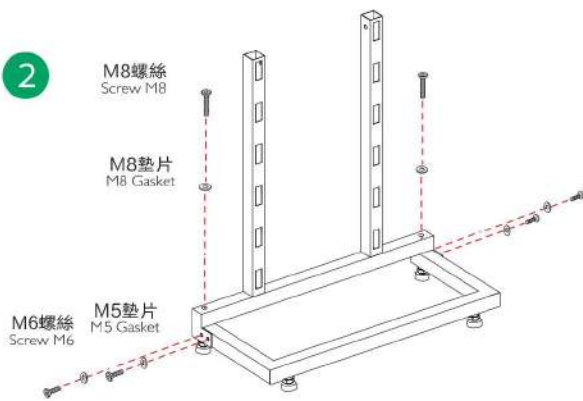
HydroFalls RACK

底架	中架	橫向支架	垂直支架	調平腳	M5/8墊片	頂蓋
Base x1 	Middle Rack x1 	Beam x1 	Pile x2 	Base Screw x4 	M5 Gasket x6 M8 Gasket x2 	Plug x4 
M6螺絲 x8 Screw M6 	M4螺絲 x1 Screw M4 	M5螺絲 x1 Screw M5 	M8螺絲 x2 Screw M8 x40mm 	牆孔絲固定器 x1 Wall Plug 	尼龍帶 x1 Strip 	六角匙 Screw M6 Hex Key x1 Screw M8 Hex Key x1 

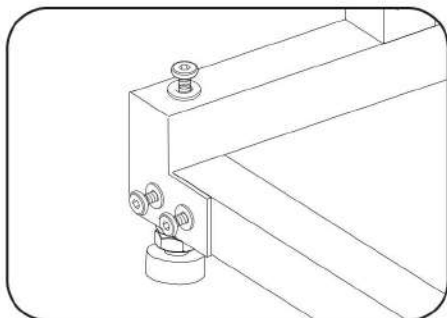
1



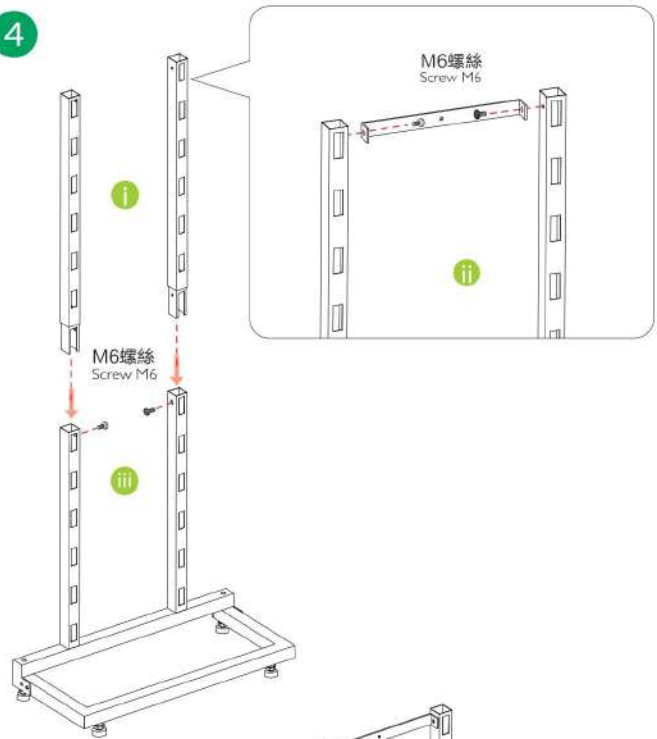
2



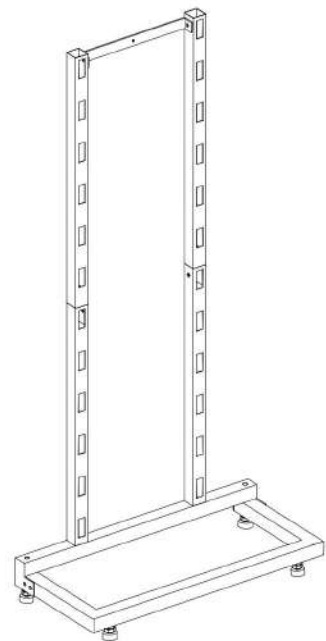
3

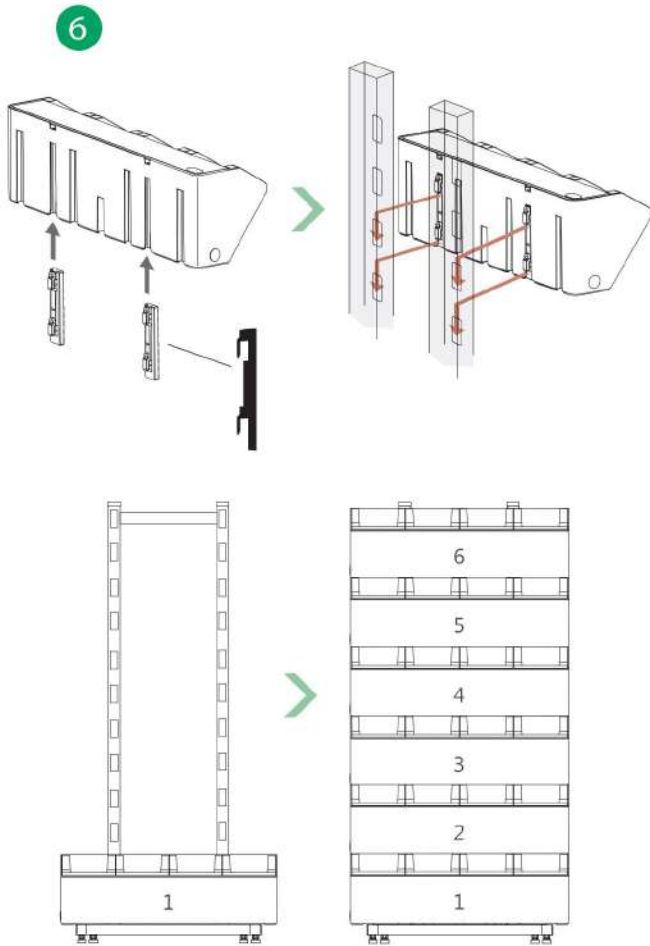


4

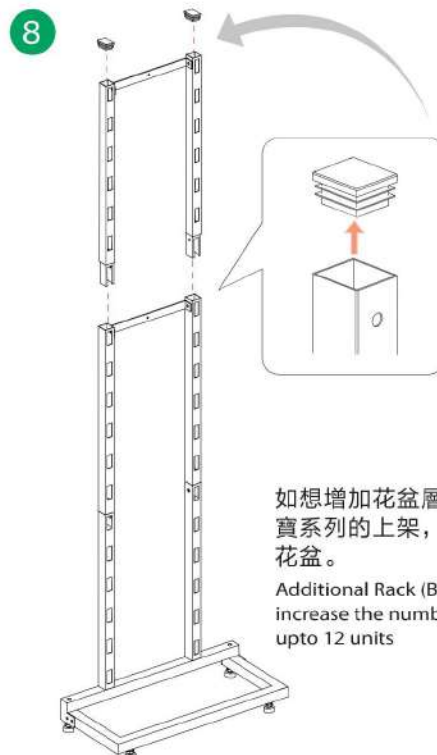
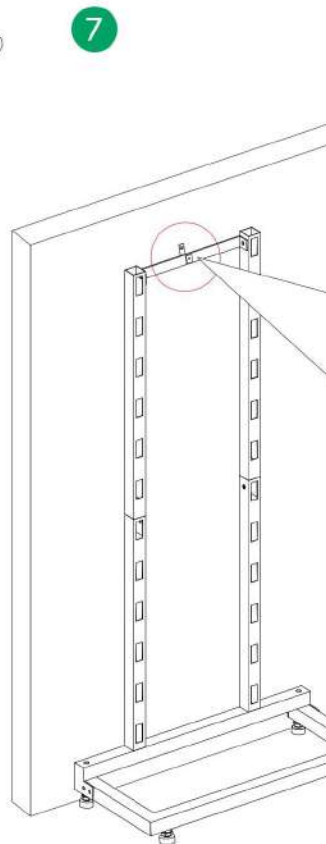
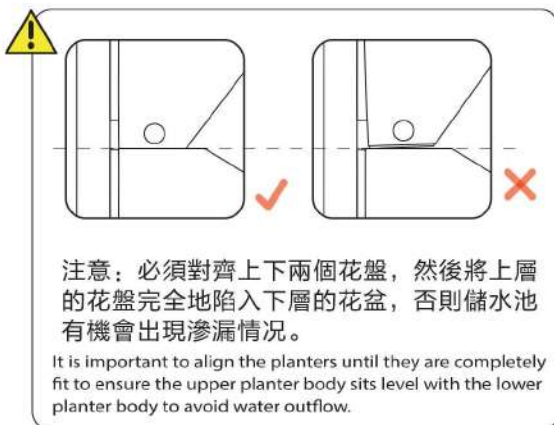


5





將花盆由最下層開始安裝。
然後逐層由下至上安裝其他花盆。
完成尺寸：57x25.5x114.6cm
Slide the first unit onto the bottom set of brackets.
Repeat the same action for each of the other units.
Finished size: 57 x 25.5 x 114.6cm



如想增加花盆層數，可另外購綠牆寶系列的上架，最多可增加至12層花盆。
Additional Rack (Buy Separately) can increase the number of Greenwall upto 12 units

Planting Guide

1 Planting the Pods

- Stand each individual pod upright by flipping the stand on the underside of the pod outwards. Refer to (Fig.15)

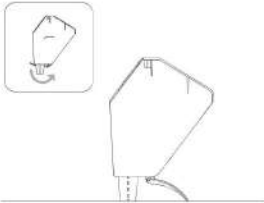


Fig.15

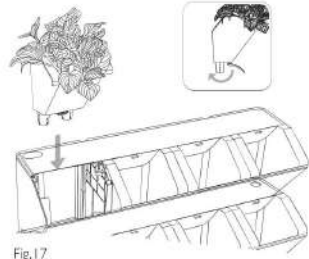


Fig.17

- Plant the pod. Do not overfill with soil as the pod may expand and will not fit back inside the planter. Refer to (Fig.16)



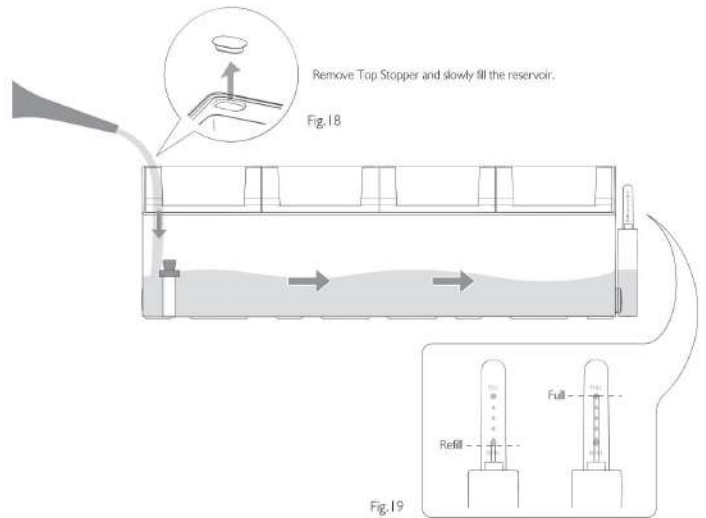
Fig.16

- Flip the stand back in until it clips into place and insert pod into the planter body. Refer to (Fig.17)

Self-Watering System

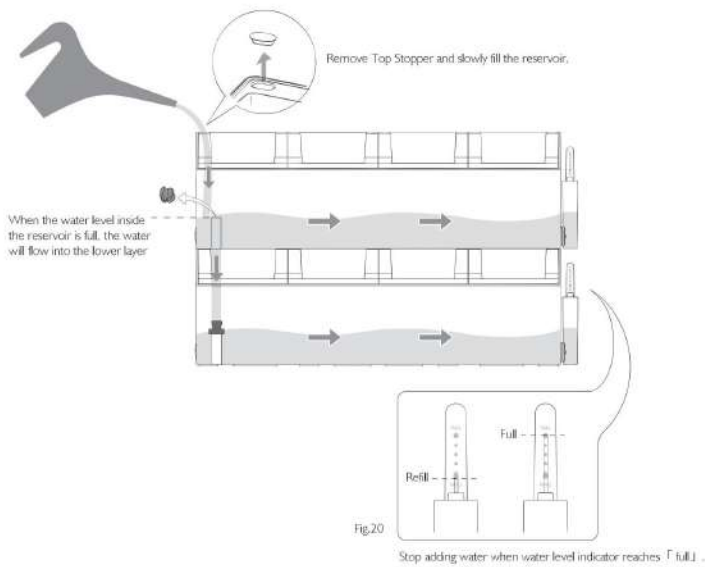
1 Single unit Single unit self watering system

- Remove the top stopper and slowly fill the reservoir. Refer to (Fig.18)
- The water level indicator stem should rise as the water level rises. Stop watering when the indicator reaches FULL. Refer to (Fig.19)



2 Multiple unit Single unit self watering system

- Remove the top stopper and slowly fill the reservoir. Refer to
- The water level indicator stem should rise as the water level rises. Stop watering when the indicator reaches FULL. Refer to (Fig.20)



Indoor / Outdoors Set up

1 Overflow

- Remove all the red stoppers from the inside of the units except from the lower left planter. This is to activate the water flow system. Refer to (Fig.21)
- If the product is installed in a location which is susceptible to frequent rainfall, we recommend removing all the red stopper. Refer to (Fig.21.1)

